



Remote Monitoring unit VT825t

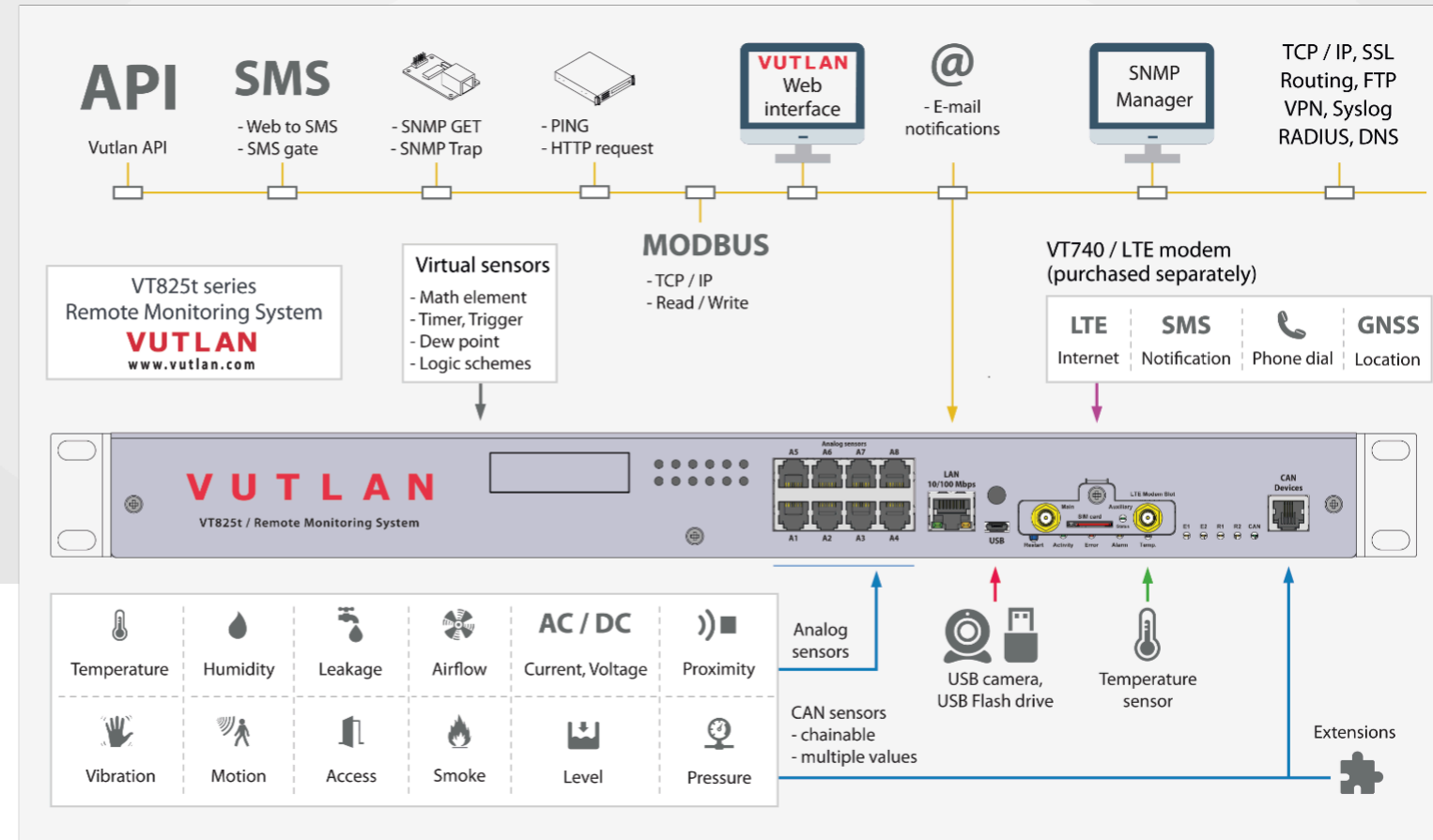
VT825t / Remote Monitoring Unit

Monitor 130 sensors, 1000 elements,
Redundant Power & Network

Perfect for monitoring
IT rooms & BTS sites



Example connection

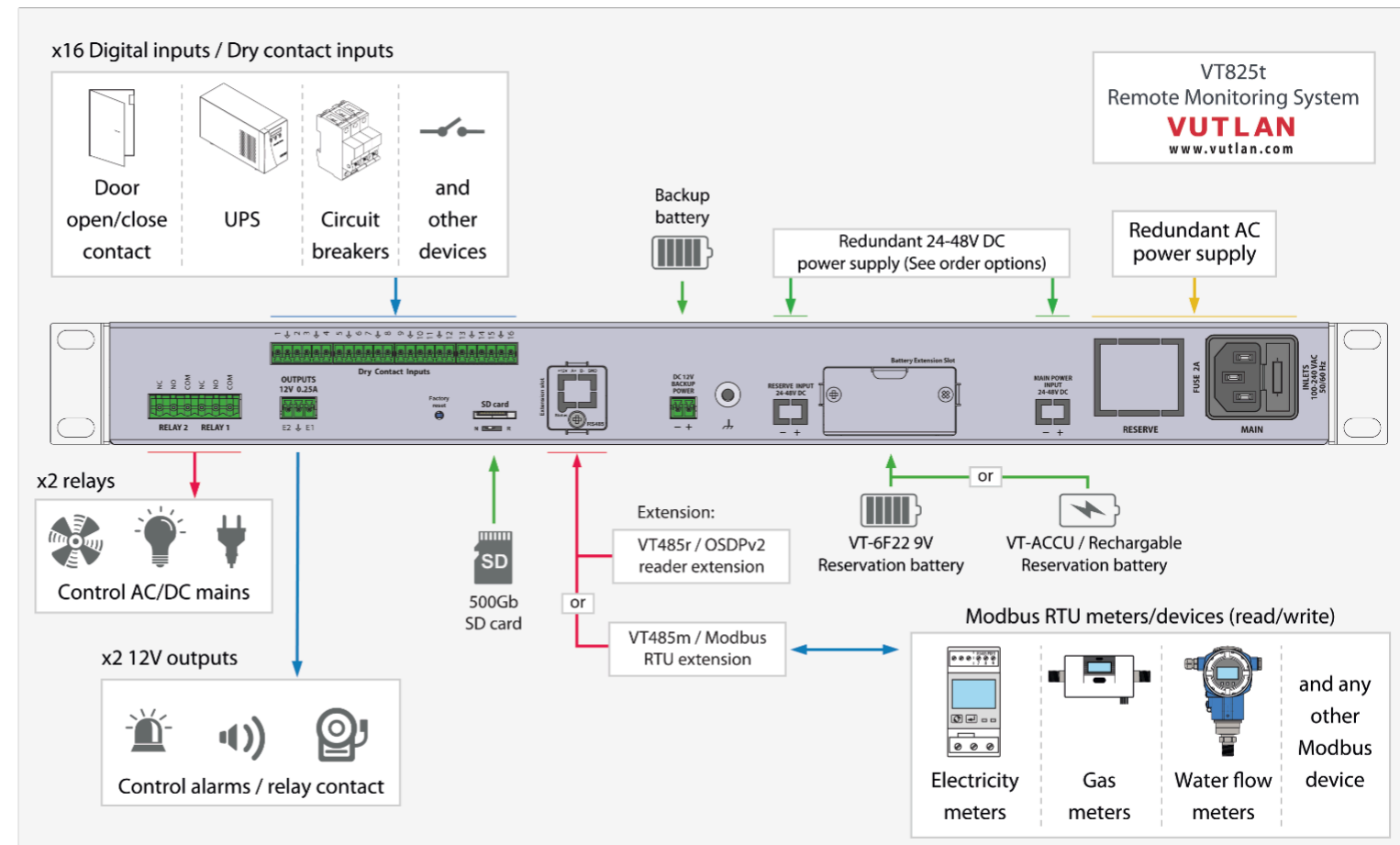


Specifications

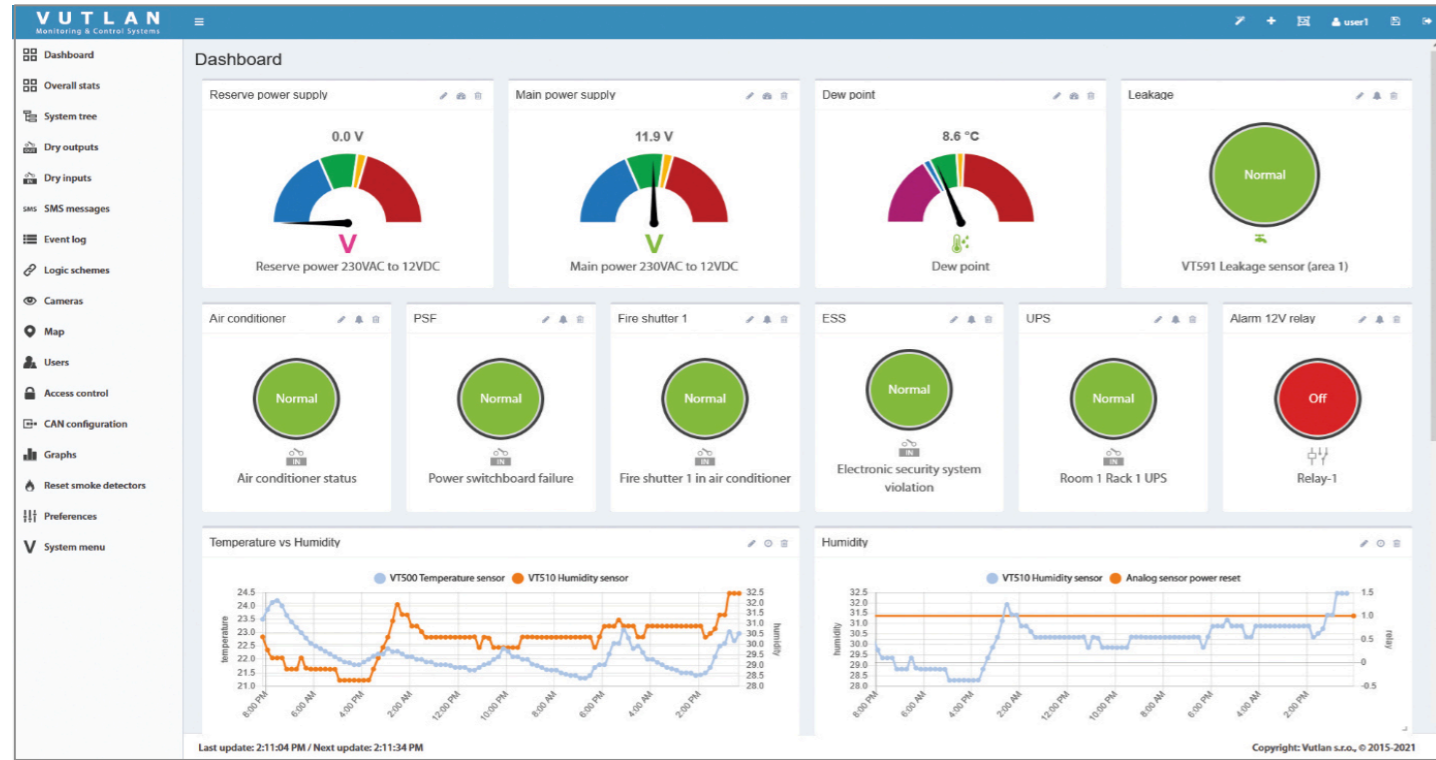
CPU Speed / RAM / OS	2 cores, 720mHz / 128Mb / Linux v.6.2
Ethernet	10/100Mbps
Redundant power	x1 100-240V AC 50/60Hz inputs, x1 12V DC Other order options exist (e.g. 24-48V DC)
USB port	For USB camera, USB flash, USB hub
Analog ports	x8 ports for sensors (extendable)
CAN port	x1 port (max. 32 sensors & extensions)
Dry Contact inputs	x16 dry contact inputs
Relays (12V DC)	x2 outputs, 0.25A each
Relays (NC/NO/COM)	x2 bistable power relays terminals
SD card slot	Up to 512 Gb SDHC
LTE slot modem	Ethernet, SMS, GPS (VT740 ordered separately)
Mounting	19" 1U (brackets included)
Extensions	VT485m / Modbus RTU extension slot or VT485r / OSDPv2 reader extension slot
Warranty	3 years
Support	On-line portal

Supports

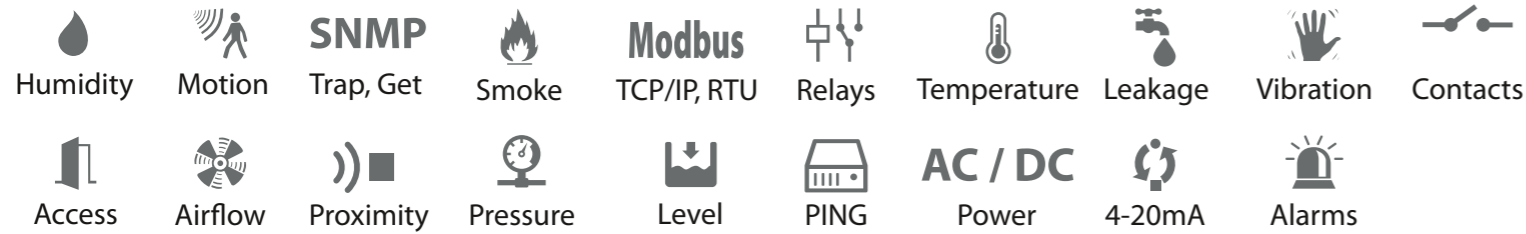
- Centralized Monitoring & Control**
 - Responsive Web Interface
 - SNMP v1, v2c, v3
- Scalability**
 - Extension units, LTE modem, OSDPv2, Modbus RTU
 - Modbus TCP/IP, 4-20mA, 0-10V, Analog, CAN
- Improved security**
 - OpenVPN, SSL, HTTPS
 - Three-tier data access permissions with login
- Protocol support**
 - DHCP, HTTP, HTTPS, DynDNS, SMTP, RADIUS, Syslog, NTP server, HTTP request
- API Application Programming Interface**
 - XML, JSON
- System Usability**
 - Multi-language mobile interface
 - First-time wizard
 - Sensor graphing for single and multiple sensors
- Virtual sensors / devices / elements**
 - PING, Timers, Triggers, Logic schemes, SNMP GET
 - IP cameras, Groups, Math
- Notifications and alerts**
 - E-mail, SMS, Phone dial, SNMP Traps, Web-to-SMS, SMS link
- Logging**
 - SD card, USB flash, E-mail, FTP



Embedded Web Interface



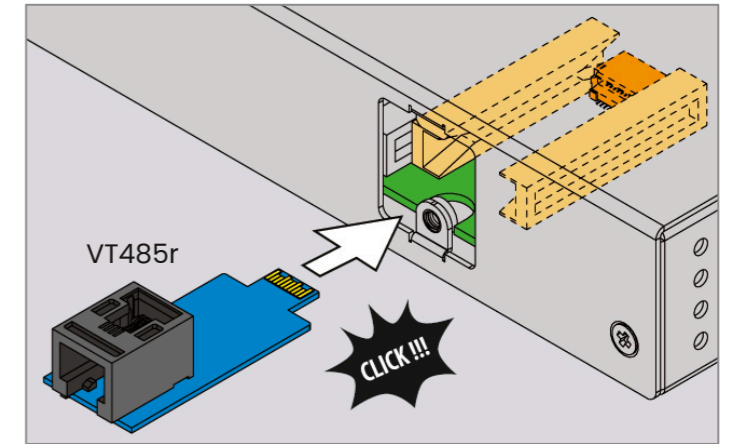
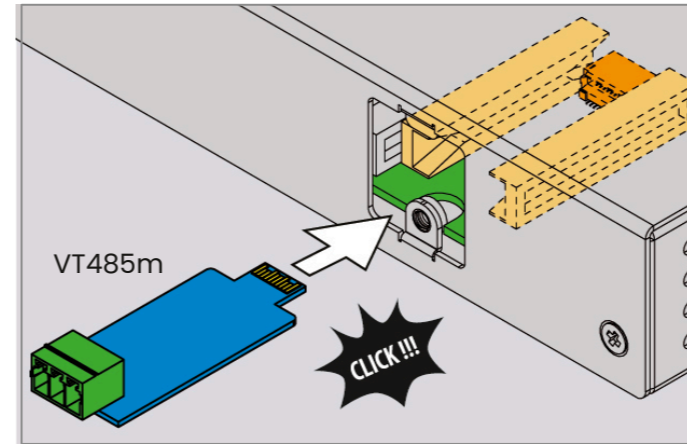
Monitor & Control:



VT485m / Modbus RTU extension or VT485r / OSDPV2 reader extension

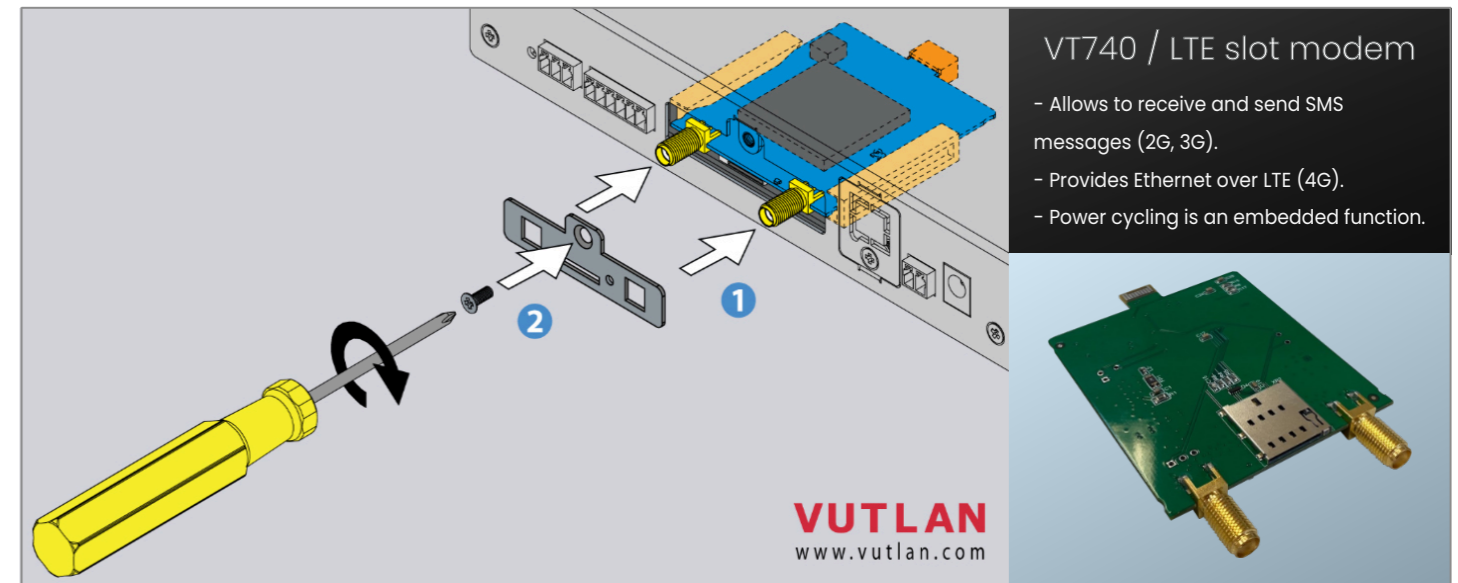
Ordered separately

Ordered separately

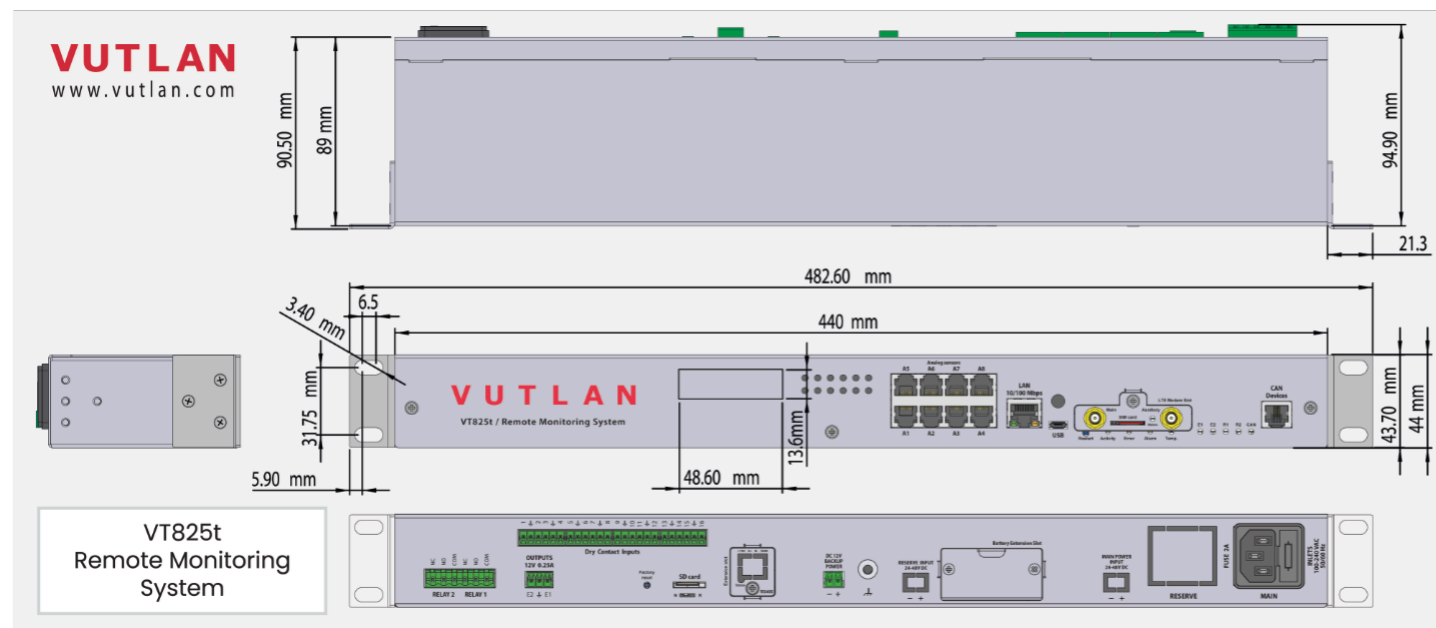


VT740 / LTE slot modem

Ordered separately

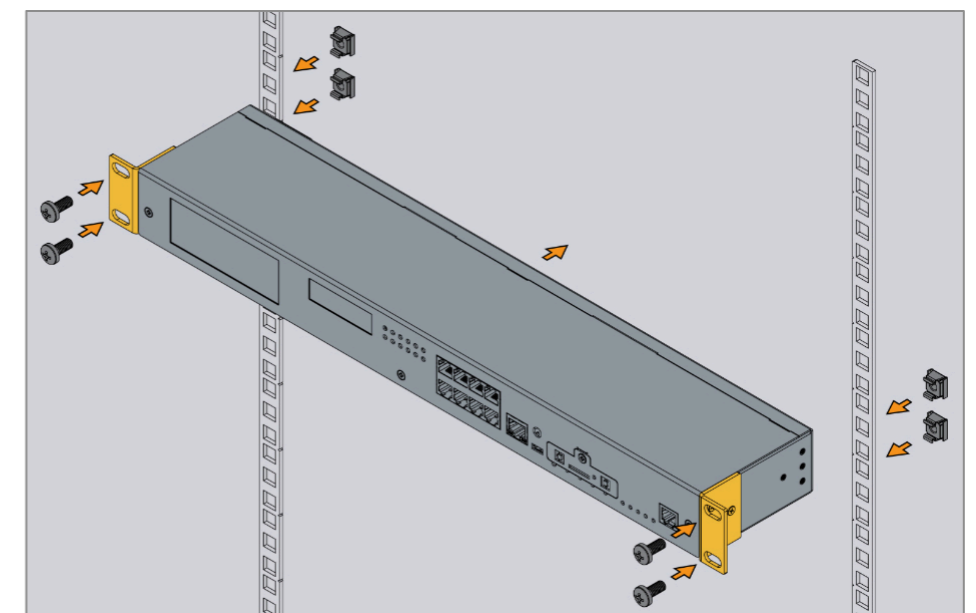


VT825tt dimensions

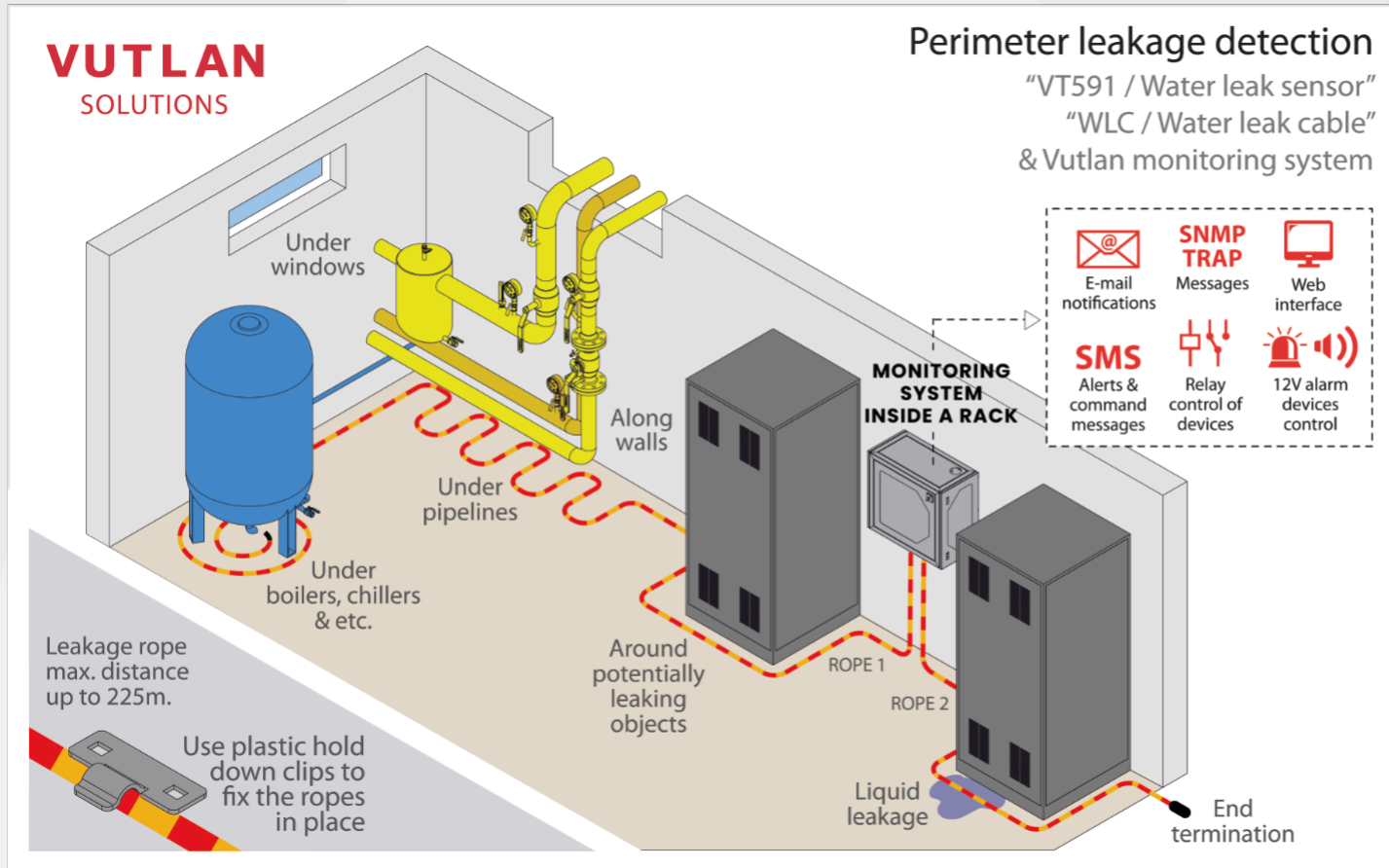


19inch 1U installation

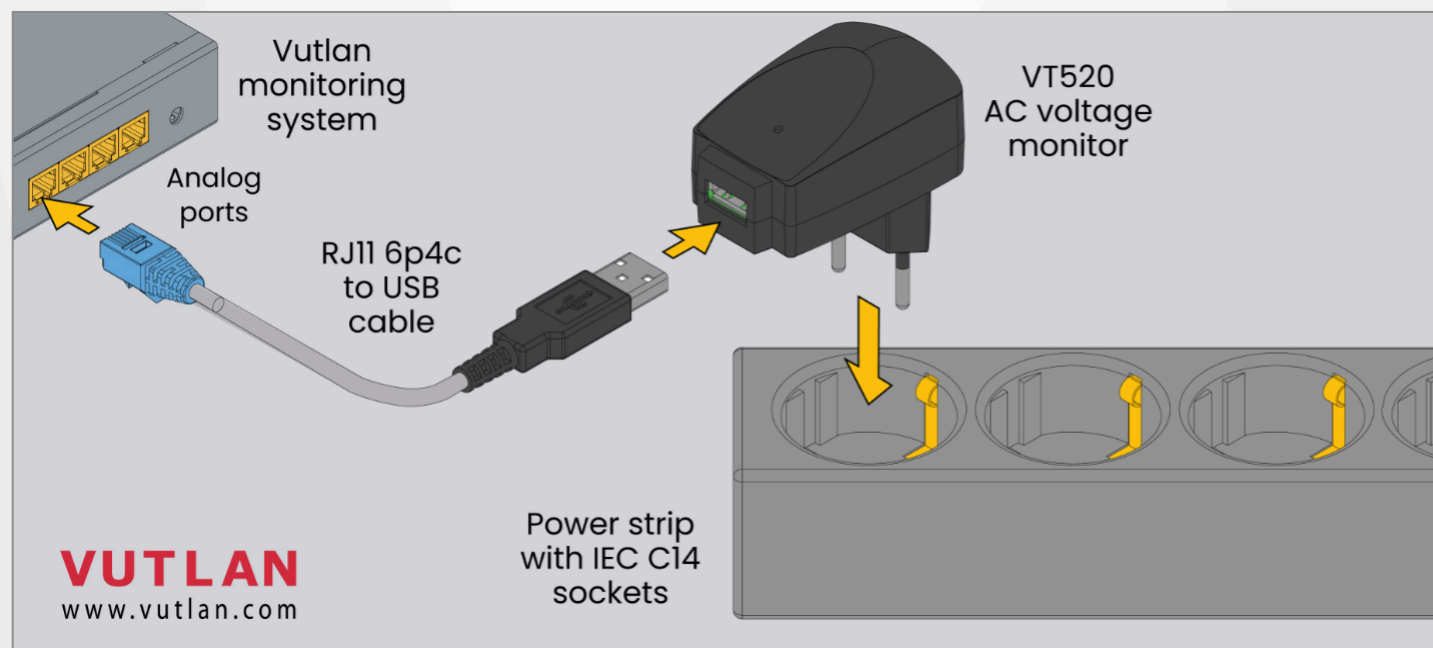
Brackets included



Leakage detection

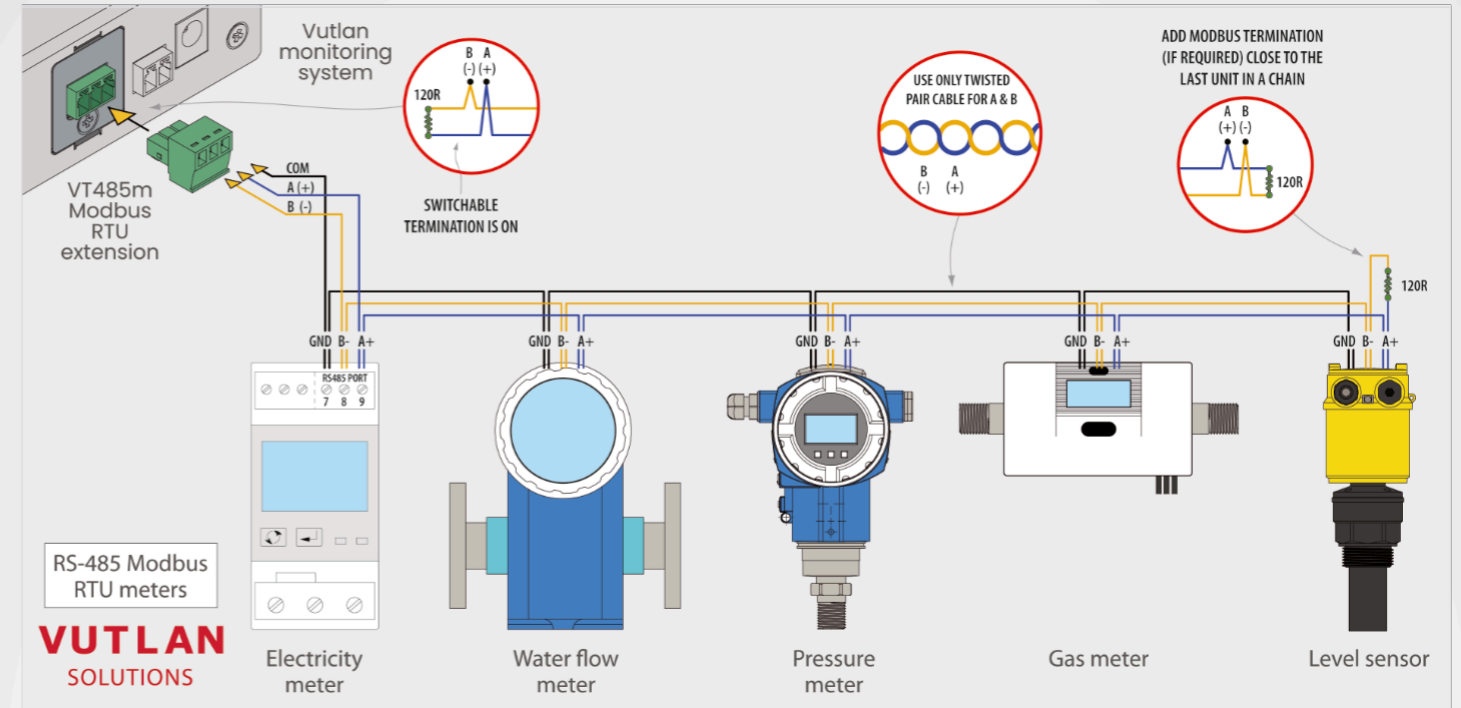


Measure AC voltage 0-246V

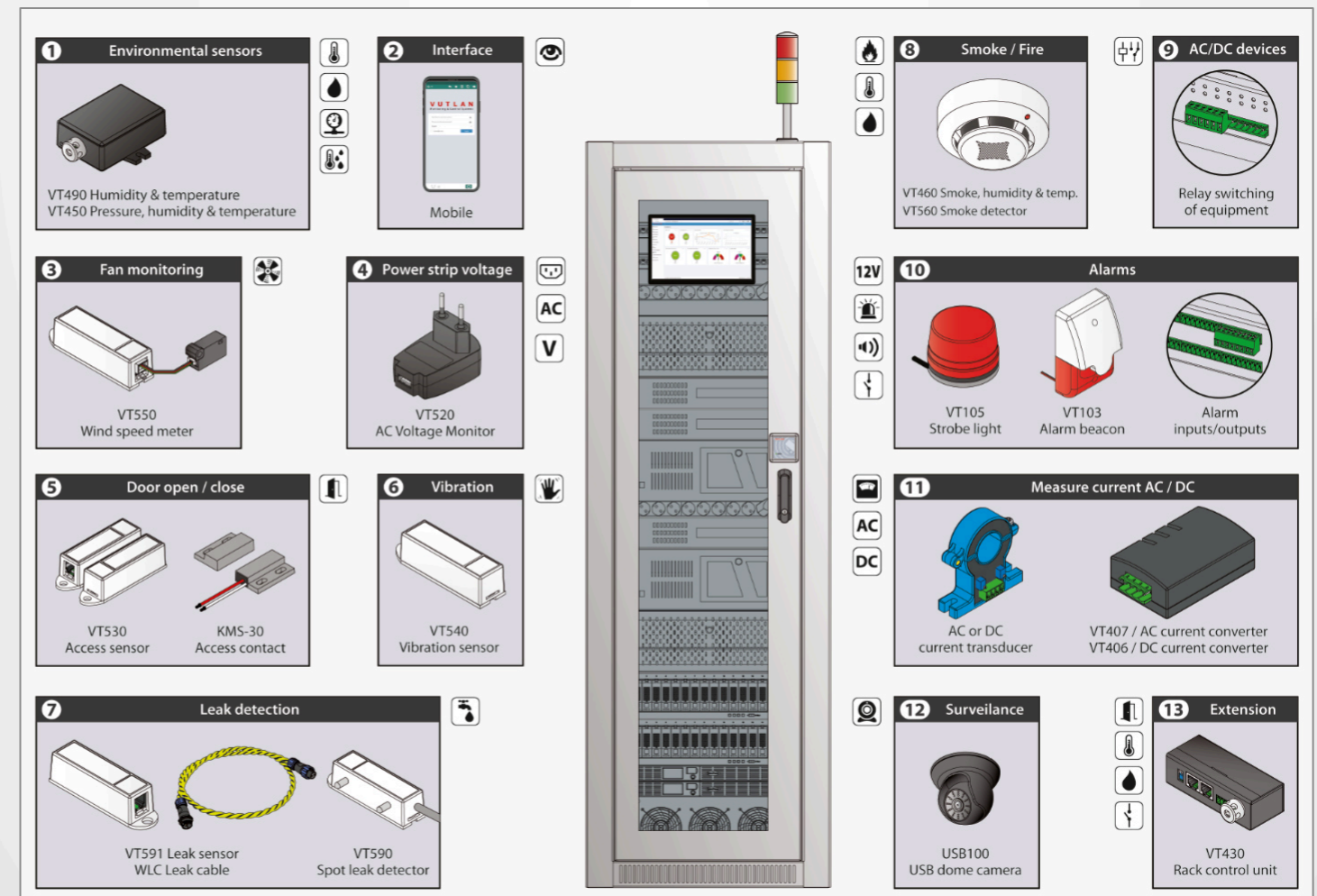


VT485m / Modbus RTU extension

Ordered separately



Server Rack & Data Center monitoring





Vutlan
Indonesia



TECHNISAF
NUSANTARA
DIGITAL

Phone : +62-21-39712705
sales@vutlan.id
www.vutlan.id

65+
PARTNERS

+37
COUNTRIES



VUTLAN