



# Room monitoring unit VT255t

Monitoring your infrastructure 24/7

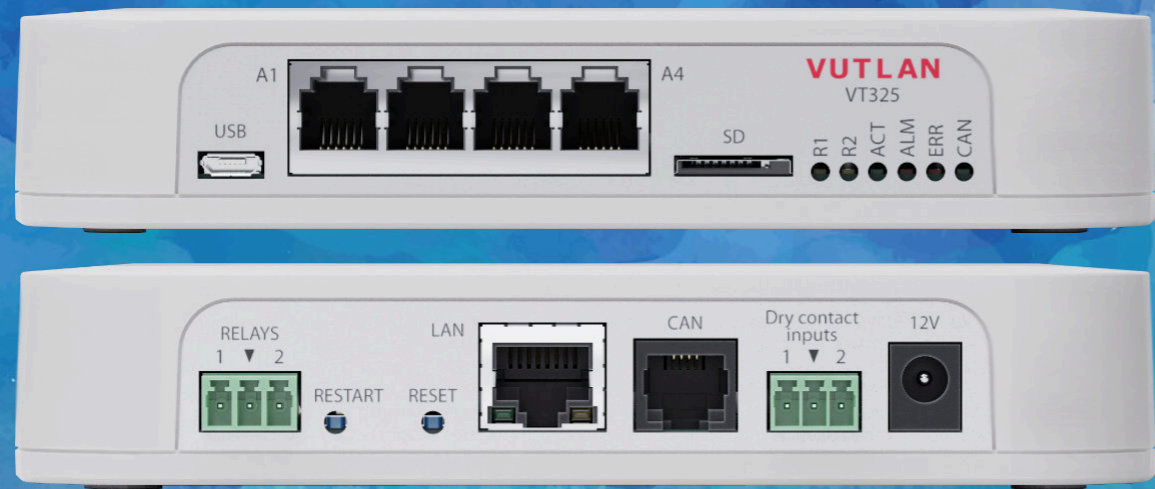
**VUTLAN**

# VT255t / Monitoring unit

Perfect for monitoring: - Small IT room

- Small remote site

Monitor 100 sensors, 700 elements,  
Redundant Power & Network



Low-cost remote environmental monitoring unit for small IT rooms. Monitor temperature, humidity, voltage, leakage, smoke, airflow, and other parameters. Can signal an alarm, activate a siren, send an e-mail notification, or send an SNMP Trap. Can monitor up to 100 physical sensors. Can use up to 700 different elements - notifications, triggers, timers, logic schemes, sensors, and dry contacts. Has a built-in Web interface. There are built-in servers and agents like HTTP, HTTPS, SNMP, SMTP, Radius, Syslog, FTP, DHCP, and OpenVPN client.

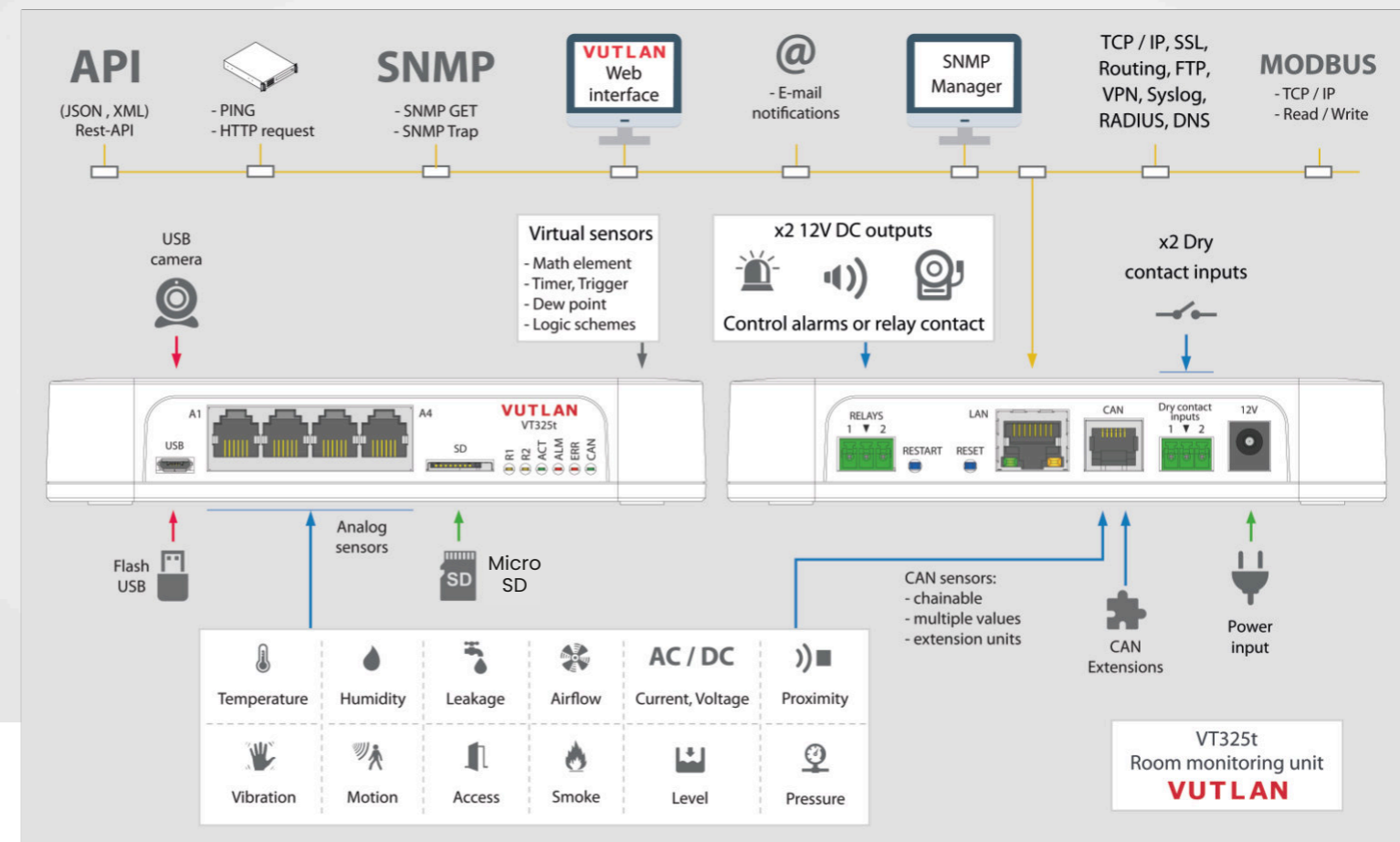
## Specifications

CPU Speed / RAM / OS	2 cores, 600mHz / 128Mb / Linux v.6.2
Ethernet	10/100Mbps
USB port	For USB camera, USB flash, USB hub
Analog ports	x4 ports for sensors (extendable)
CAN port	x1 port (max. 10 sensors & extensions)
Dry Contact inputs	x2 digital inputs
Relays	x2 outputs, 12V, 0.25A each
SD card slot	Up to 64 Gb
Installation	Desktop (Wall, DIN, & 19" brackets as extensions)
Warranty	3 years
Support	On-line portal

## Supports

- Centralized Monitoring & Control**
  - Responsive Web Interface
  - SNMP v1, v2c, v3
- Scalability**
  - Extension units,
  - Modbus TCP/IP, 4-20mA, 0-10V, Analog, CAN
- Improved security**
  - OpenVPN, SSL, HTTPS
  - Three-tier data access permissions with login
- Protocol support**
  - DHCP, HTTP, HTTPS, DynDNS, SMTP, RADIUS,
  - Syslog, NTP server, HTTP request
- API**
  - Application Programming Interface
  - XML, JSON
- System Usability**
  - Multi-language mobile interface
  - First-time wizard
  - Sensor graphing for single and multiple sensors
- Virtual sensors / devices / elements**
  - PING, Timers, Triggers, Logic schemes, SNMP GET
  - IP cameras, Groups, Math
- Notifications and alerts**
  - E-mail, SNMP Traps, Web-to-SMS, SMS link
- Logging**
  - SD card, USB flash, E-mail, FTP

## Example connection



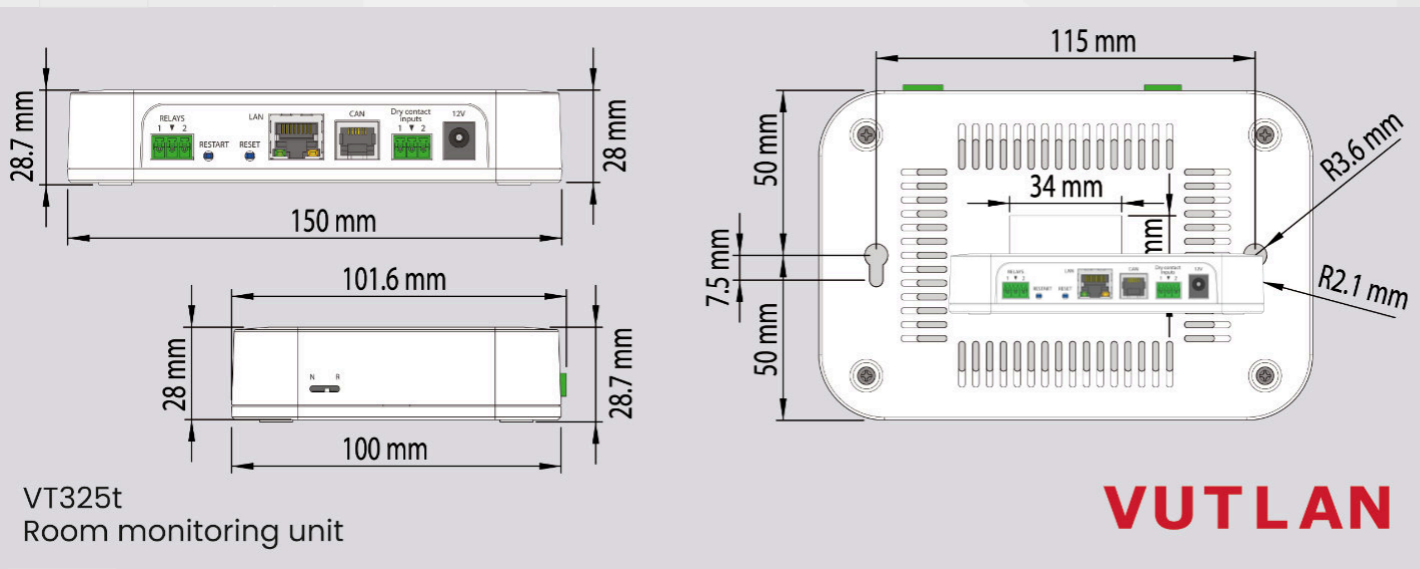
## Embedded Web Interface



## Monitor & Control

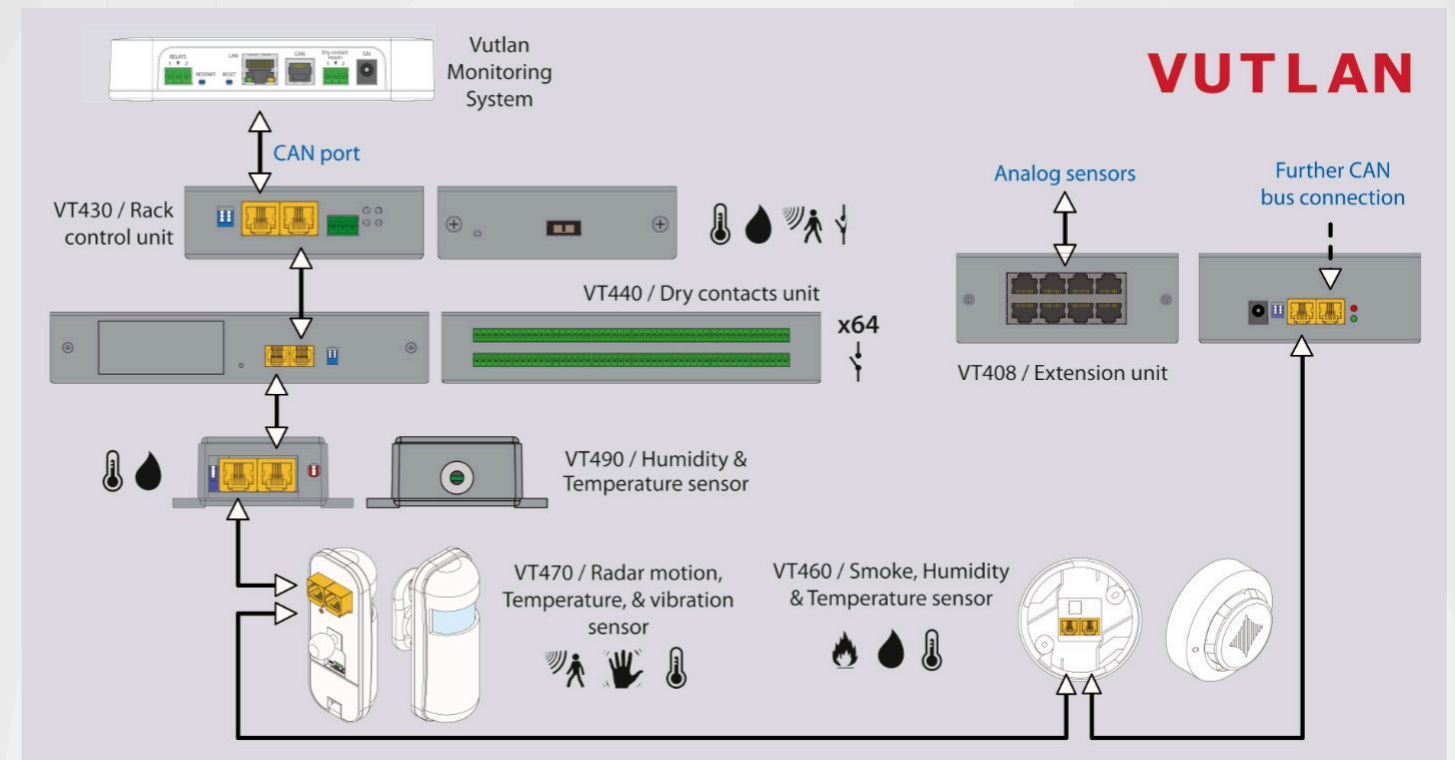
- Humidity
- Motion
- SNMP Trap, Get
- Smoke
- Modbus TCP/IP
- Relays
- Temperature
- Leakage
- Vibration
- Contacts
- Access
- Airflow
- Proximity
- Pressure
- Level
- PING
- AC / DC Power
- 4-20mA
- Alarms

### VT255t dimensions

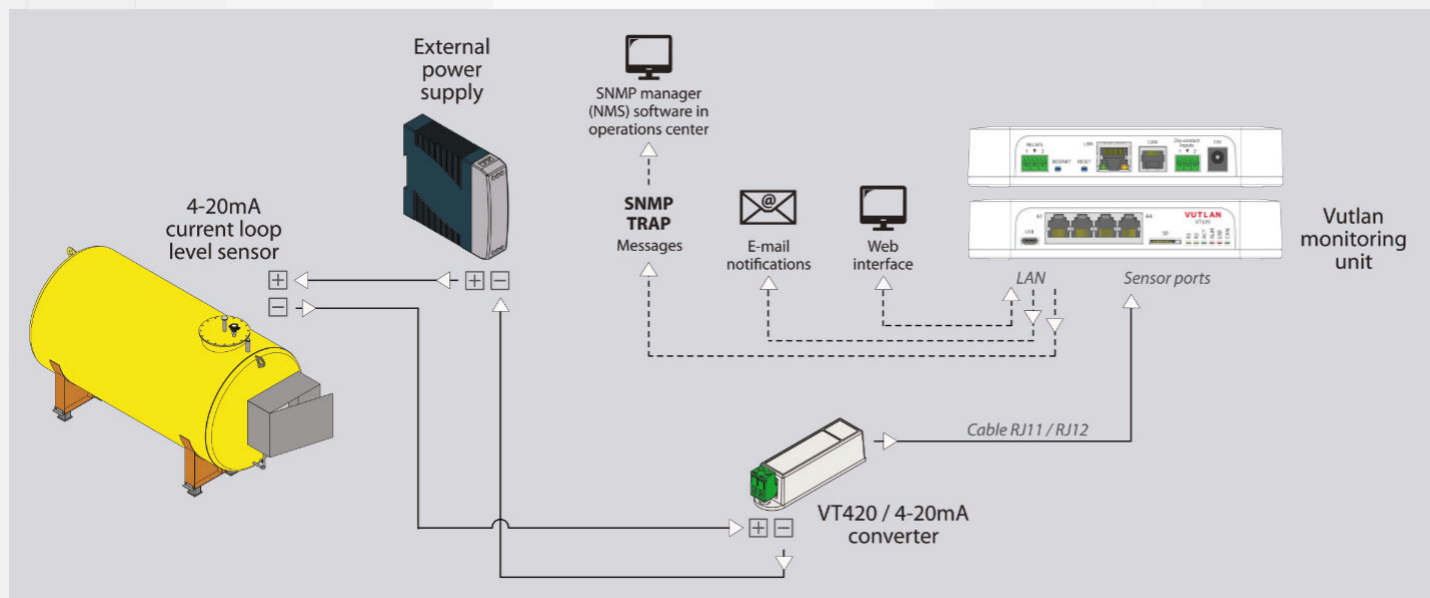


VT325t Room monitoring unit

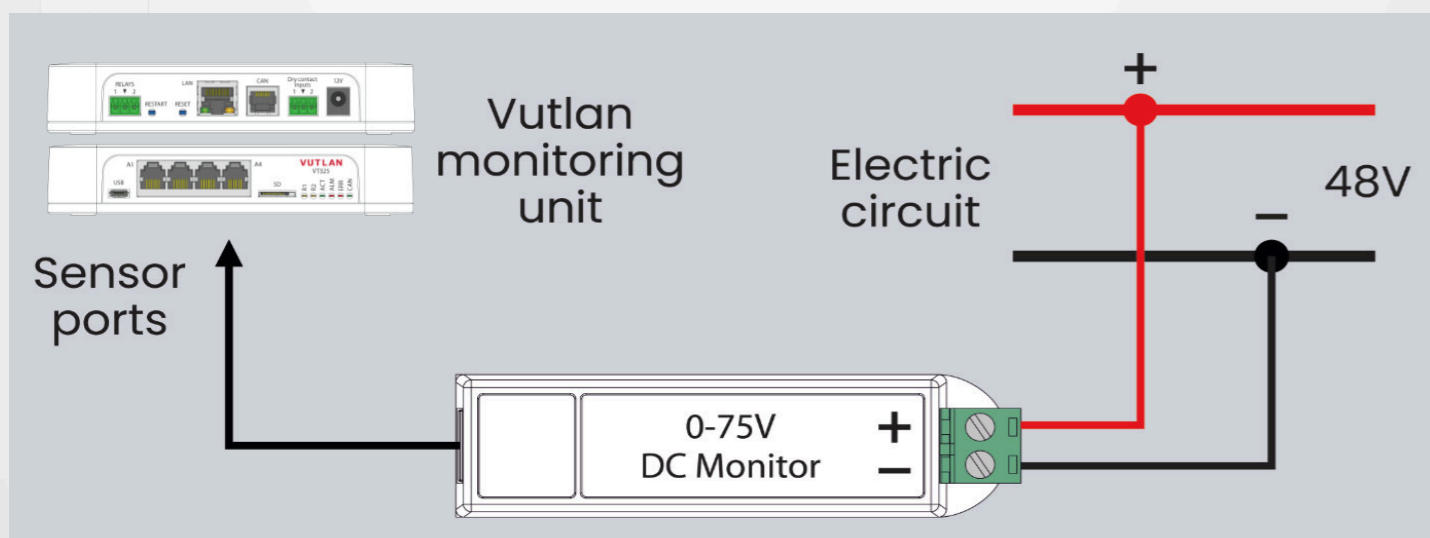
### CAN sensors & CAN extensions connection



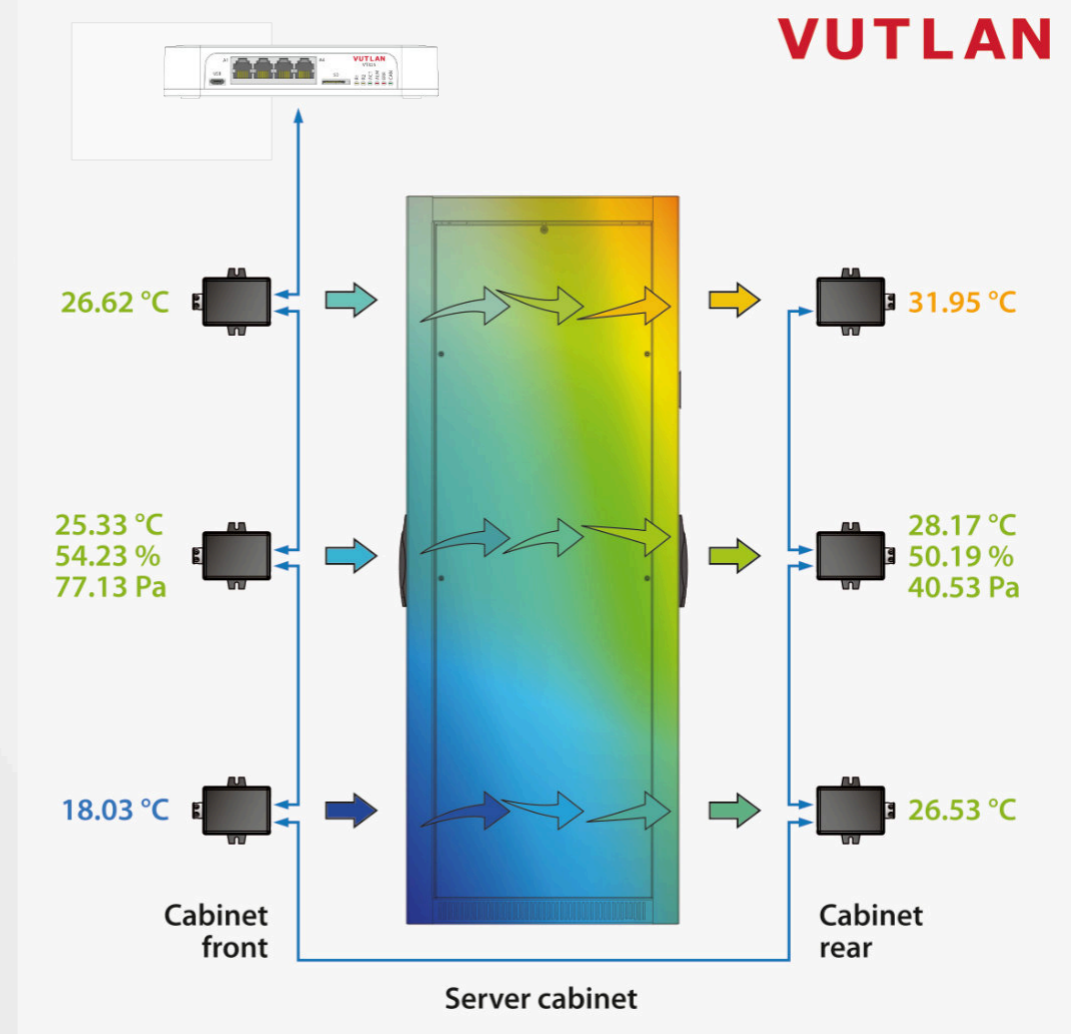
### Connecting 4-20mA third party sensors (E.g. diesel level meter)



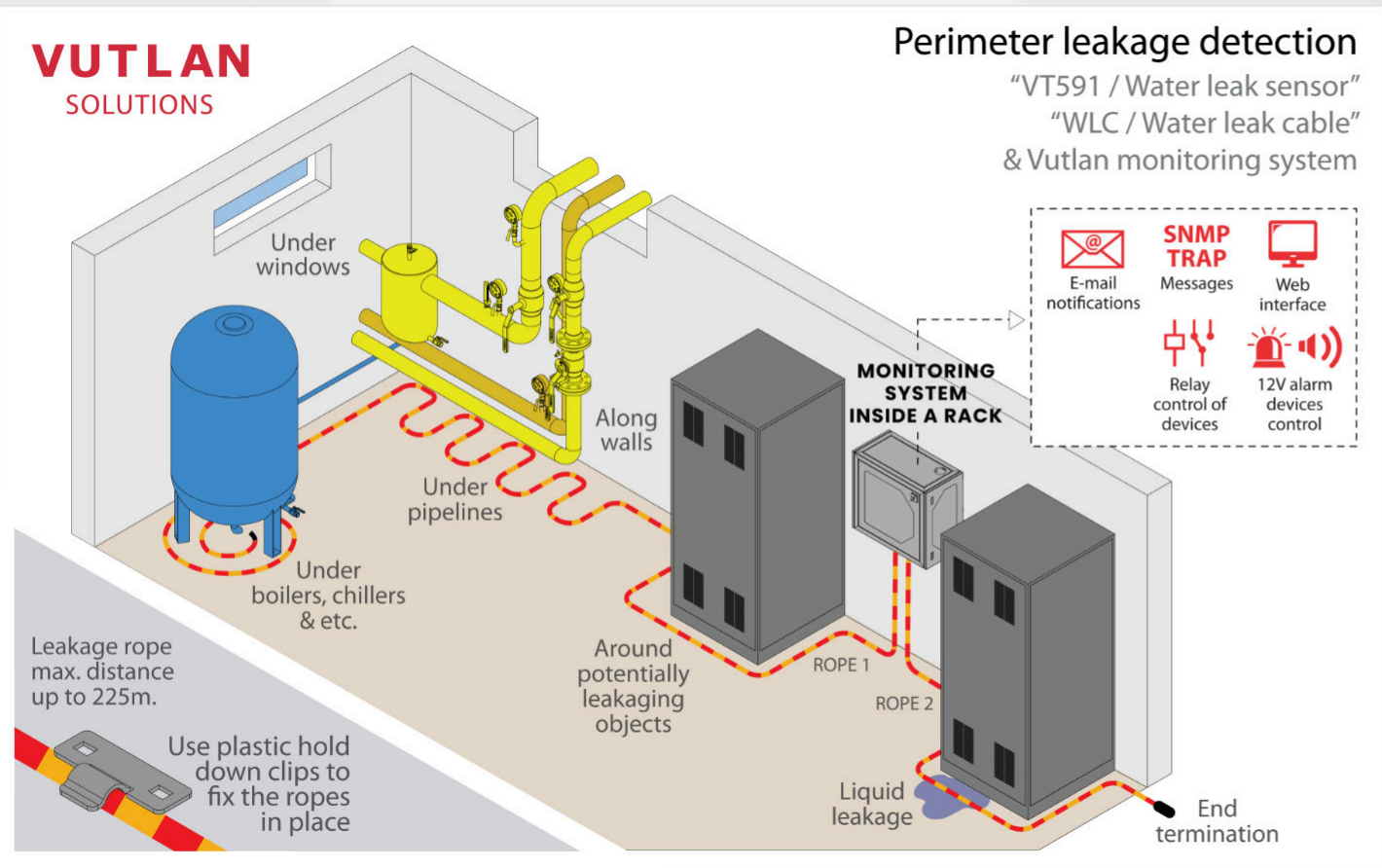
### Connecting 4-20mA third party sensors (E.g. diesel level meter)



### Thermal mapping data over SNMP

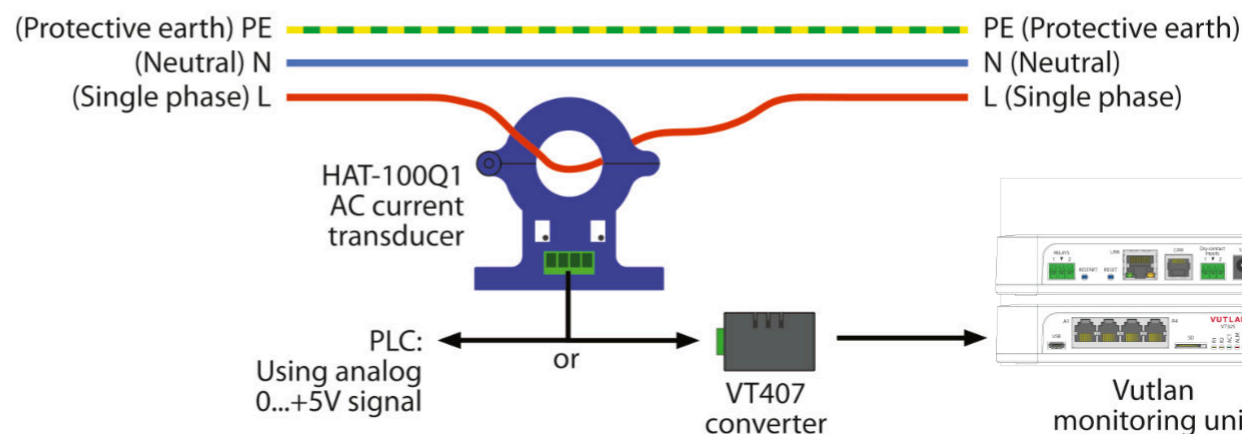


### Leakage detection

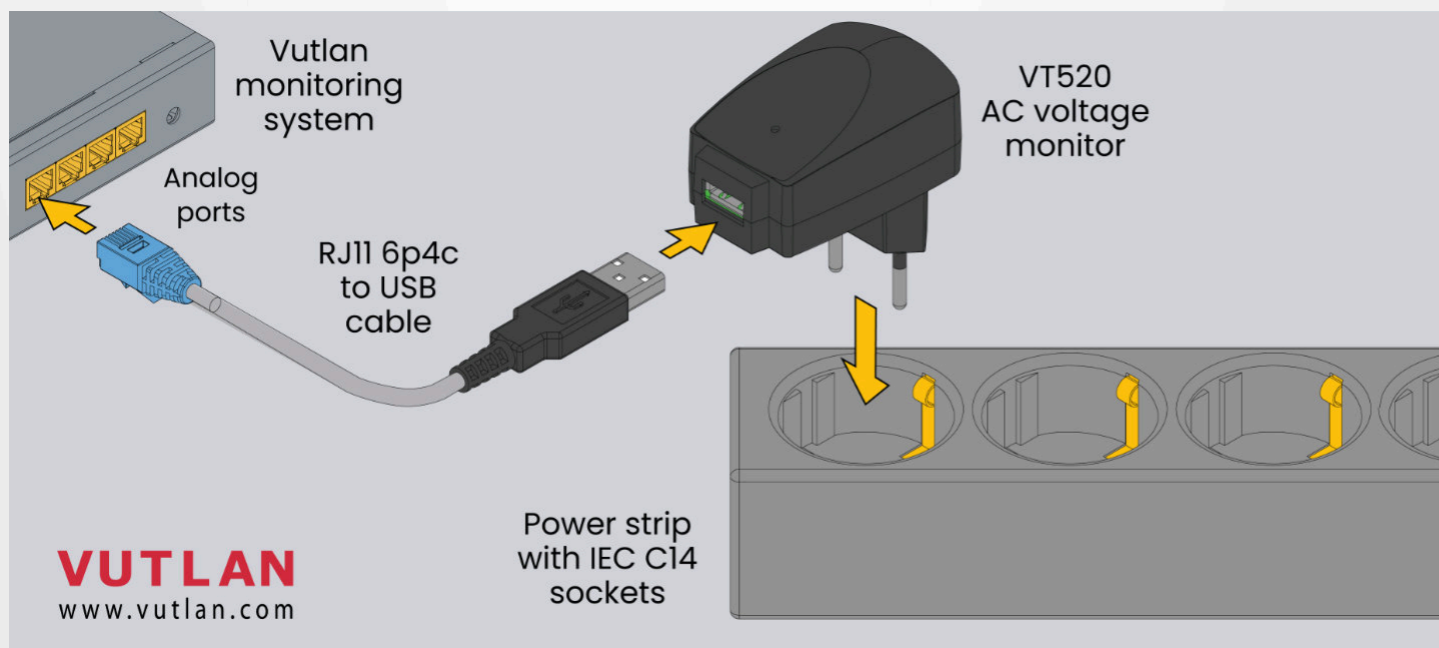


### Measure current in AC power circuit

#### Measuring current in AC power circuit VT407 / AC HAT converter HAT-100Q1 / AC current transducer



### Measure AC voltage 0-246V



### Server Rack & Data Center monitoring

<b>1 Environmental sensors</b>  VT490 Humidity & temperature VT450 Pressure, humidity & temperature	<b>2 Interface</b>  Browser, Mobile	<b>8 Smoke / Fire</b>  VT460 Smoke, humidity & temp. VT560 Smoke detector	<b>9 AC/DC devices</b>  Relay switching of equipment
<b>3 Fan monitoring</b>  VT550 Wind speed meter	<b>4 Power strip voltage</b>  VT520 AC Voltage Monitor	<b>10 Alarms</b>  VT105 Strobe light VT103 Alarm beacon Alarm inputs/outputs	<b>12V</b>
<b>5 Door open / close</b>  VT530 Access sensor KMS-30 Access contact	<b>6 Vibration</b>  VT540 Vibration sensor	<b>11 Measure current AC / DC</b>  AC or DC current transducer VT407 / AC current converter VT406 / DC current converter	<b>AC</b> <b>DC</b>
<b>7 Leak detection</b>  VT591 Leak sensor WLC Leak cable VT590 Spot leak detector	<b>12 Surveillance</b>  USB100 USB dome camera	<b>13 Extension</b>  VT430 Rack control unit	<b>13 Extension</b>



**Vutlan**  
**Indonesia**



**TECHNISAF  
NUSANTARA  
DIGITAL**

Phone : +62-21-39712705  
sales@vutlan.id  
www.vutlan.id

**65+**  
PARTNERS

**+37**  
COUNTRIES



**VUTLAN**